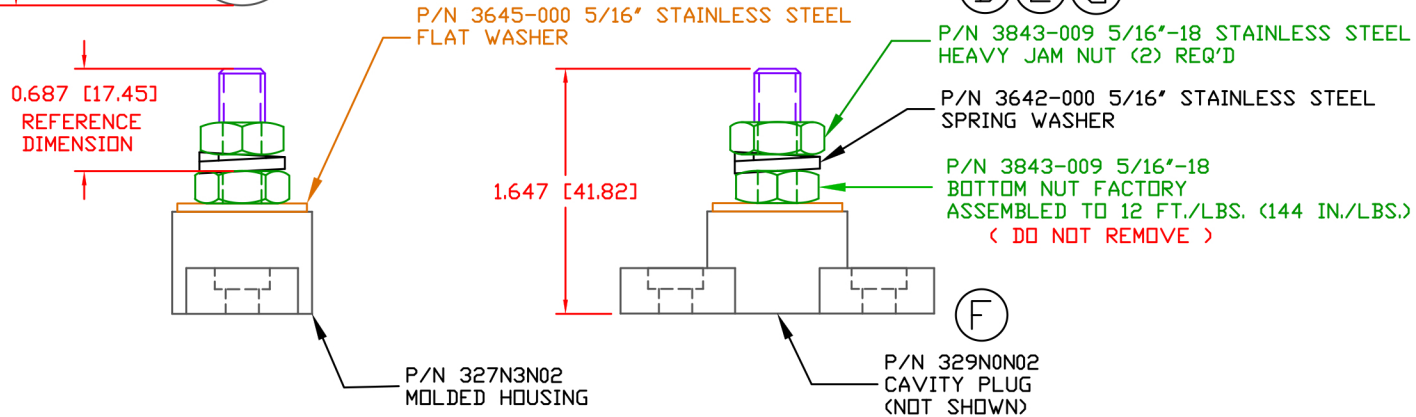
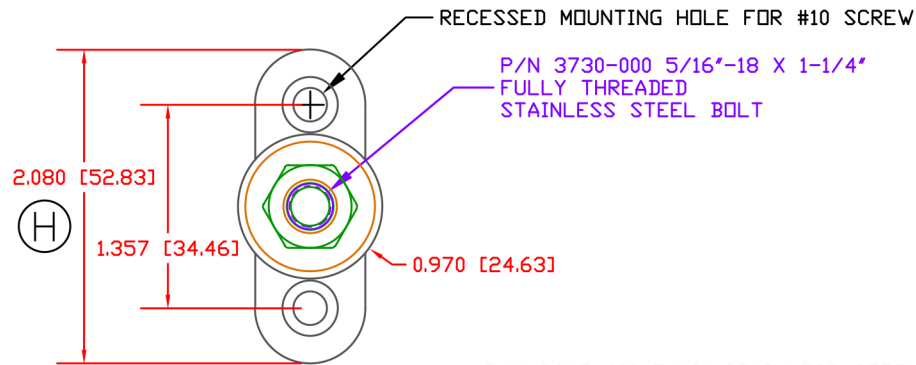


LTR.	REVISIONS	DATE	INT.
A	ADDED MATERIAL AND PERFORMANCE NOTES	1-22-04	BRH
B	REVISED PERFORMANCE NOTES	2-23-04	BRH
C	3843-002 WAS 3843	5-19-05	BRH
D	ADDED OPTIONAL CONSTRUCTION NOTE AND -000 SUFFIXES	4-04-06	BRH
E	REMOVED OPTIONAL CONSTRUCTION NOTE	10-20-15	RAS
F	PN 329NOV** CHANGED TO PN 329NON**	6-23-16	MDL
G	REPLACED P/N 3843-001 WITH P/N 3843-009	1-16-17	RAS
H	UPDATED AND ADDED DIMENSIONS FOR MOUNTING	7-31-17	RAS
I	REPLACED CURRENT LIMITS WITH TEMPERATURE LIMIT	10-12-18	RAS



SCALE FACTOR : NONE
 ALL DIMENSIONS GIVEN AS: In [mm]
 TOLERANCES UNLESS OTHERWISE SPECIFIED :
 MOLDED PARTS: ±0.30" [±0.8mm]
 HARDWARE ITEMS: ±0.10" [±0.25mm]

MATERIAL: GLASS FILLED NYLON
 HYLON N2015 HL NAT
 1.23
 515 F [268 C]
 UL 94 HB

VENDOR PART NO:
 SPECIFIC GRAVITY:
 MELTING TEMP:
 U.L. RATING:

OVERALL ASSEMBLY TEMPERATURE NOT TO EXCEED 140 DEGREES F
 (60 DEGREES C)

MAXIMUM RECOMMENDED TORQUE: 10 FT./LBS. (120 IN./LBS.)



REF:	DATE: 4-09-03	DRN BY: BRH CHK'D BY: BRH	WEIGHT:
TITLE: 5/16" SMALL JUNCTION STUD			SCALE:
MATERIAL: GLASS-FILLED NYLON		PART NO. 670154	
COLOR: RED	DRG CLASS REV I		